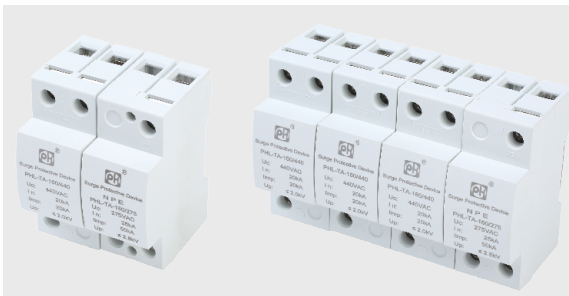


交流电源SPD (160kA) AC Power SPD (160kA)



产品概述

用于雷电防护等级为A级及以下的
第一级电源浪涌保护器, 适合安装在雷
击高发区, 架空线直接入户的场合, 以
及其它LPZ0A区与LPZ1区的交界处

Product overview

It is used for the first-class power surge
protection with lightning protection grade
A or below it, and it is suitable for
installation in areas with high lightning
incidence, places where overhead lines are
directly connected to households, and
other junctions between LPZ0A area and
LPZ1 area

主要特点

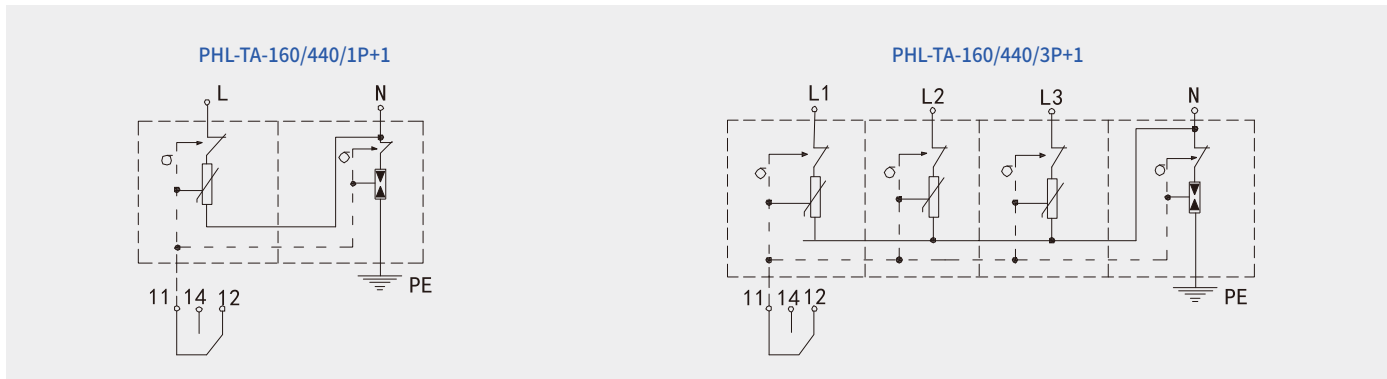
Main characteristics

- 放电电流大 满足T1测试要求
The discharge current is large, it can meet
T1 test requirements
- 采用氧化锌陶瓷材料, 性能稳定, 不受环境变化影响
It adopt zinc oxide ceramic material, stable
performance, not affected by environmental changes

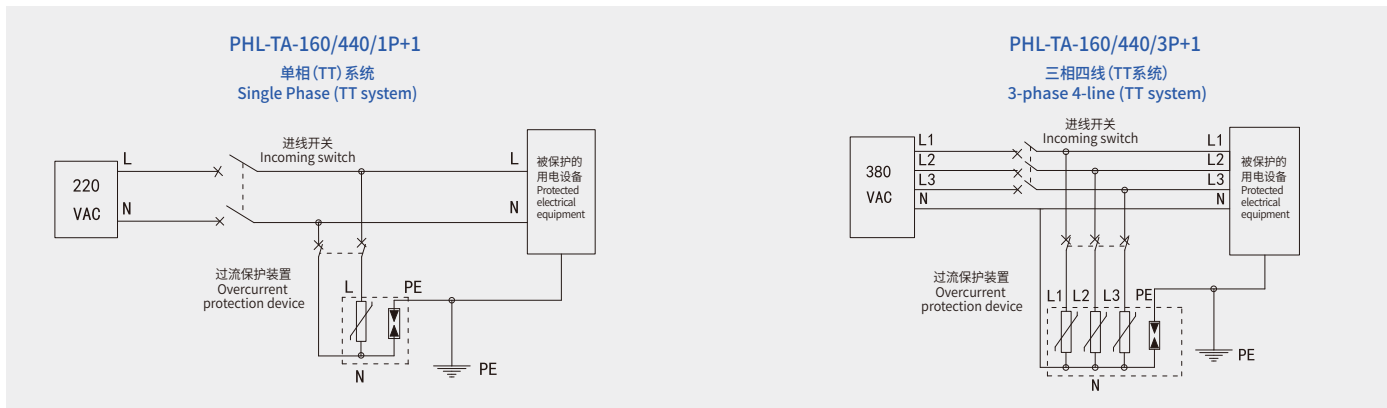
技术数据 Technical data

	PHL-TA-160/275	PHL-TA-160/440	PHL-TA-160/275	PHL-TA-160/440
额定工作电压Un Rated operating voltage Un		220VAC		220VAC
最大工作电压Uc Maximum operating voltage Uc	275VAC	440VAC	275VAC	440VAC
标称放电电流In(8/20μs) Nominal discharge current In (8 / 20μs)	80KA	80KA	80KA	80KA
最大放电电流Imax(8/20μs) The maximum discharge current (8 / 20μs)	160kA	160kA	160kA	160kA
雷电冲击电流Iimp(10/350μs) Lightning impulse current Iimp(10/350μs)	15kA	15kA	15kA	15kA
保护电压Up(In下) Protection voltage Up (under In)	<3500V	<3500V	<3500V	<3500V
连接导线截面积 Cross-sectional area of connecting wire	1.5mm ² ~25mm ² 软线 1.5mm ² ~25mm ² flexible wire		1.5mm ² ~25mm ² 软线 1.5mm ² ~25mm ² flexible wire	
响应时间 Response time	<100ns		<100ns	
外壳防护等级(符合IEC 60529) Degrees of protection provided by enclosure (in line with IEC 60529)	IP 20		IP 20	
外壳材料/阻燃等级 Housing material/flammability rating	UL94-V0		UL94-V0	
测试标准 Test standard	GB 18802.1/IEC 61643-1		GB 18802.1/IEC 61643-1	
适合电源系统 Applied power system	单相(TT系统) Single Phase (TT system)		三相四线(TT系统) 3-phase 4-line (TT system)	
熔断器或断路器选型(A) Fuse or circuit breaker selection(A)	100、160		100、160	
老化热脱离功能 Aging thermal separation function	有 Yes		有 Yes	
工作温度范围 Working temperature range	-40°C~+80°C		-40°C~+80°C	
安装方法 Installation method	35mmDIN导轨 DIN35mm rail		35mmDIN导轨 DIN35mm rail	

交流电源SPD (160kA) AC Power SPD (160kA)



接线方式 Schematic diagram



外形尺寸 Dimension drawings

